

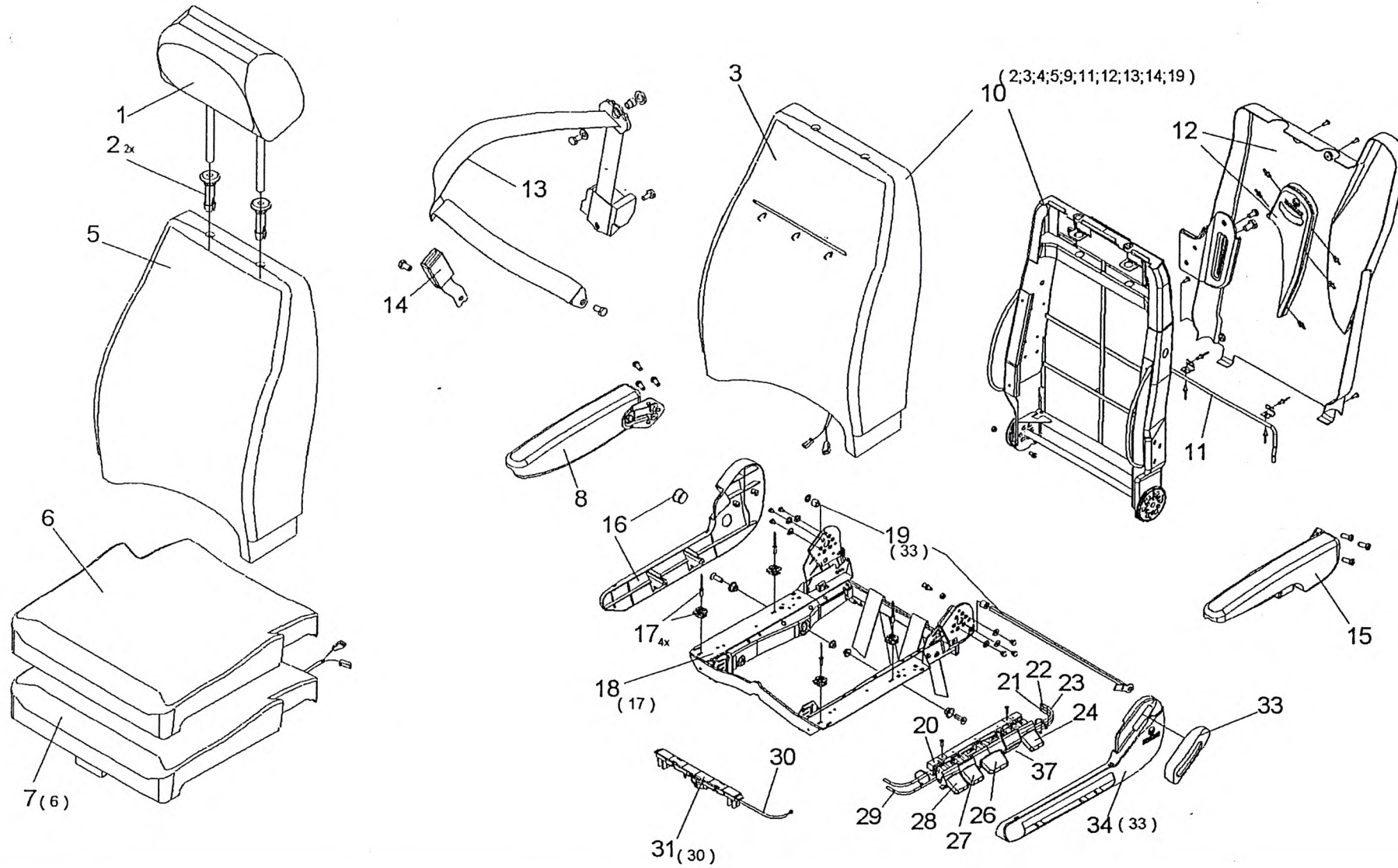
SEAT RH
SITZ RECHTS
SIEGE A DROITE

997-070-06322

Figure
Bild
Figure

7006322

2600-13/1



SEAT RH
SITZ RECHTS
SIEGE A DROITE

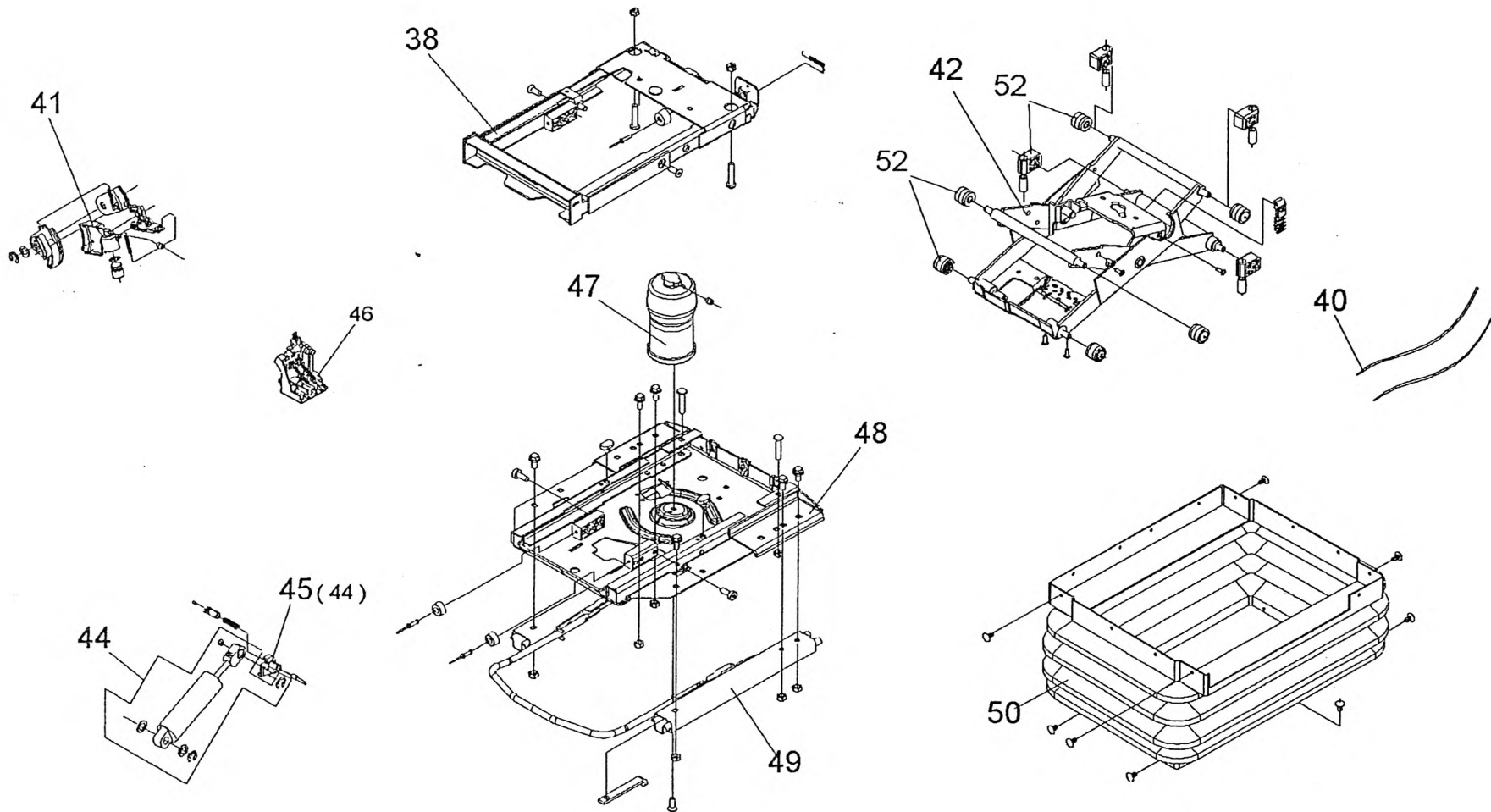
997-070-06322

Figure
Bild
Figure

7006322

2600-13/2

FAUN



SEAT RH
SITZ RECHTS
SIEGE A DROITE

997-070-06322

Figure
Bild
Figure

7006322

2600-13



| Item Pos. Réf | Part No. Teil-Nr. Pièce No | Designation Benennung Désignation | all alle tous | Qty/assy Stck/Variante Pièce/ensemble | | | | | | | | Figure Bild Figure | Item Pos. Réf | Part No. Teil-Nr. Pièce No | Designation Benennung Désignation | all alle tous | Qty/assy Stck/Variante Pièce/ensemble | | | | | | | | Figure Bild Figure |
|------------------|----------------------------------|--|---------------------|--|---|---|---|---|---|---|---|--------------------------|------------------|----------------------------------|--|---------------------|--|---|---|---|---|---|---|---|--------------------------|
| | | | | A | B | C | D | E | F | G | H | | | | | | A | B | C | D | E | F | G | H | |
| 1 | 997-073-07755 | HEAD RESTRAINT KOPFSTUETZE APPUI TETE | 1 | | | | | | | | | | 18 | 997-073-07770 | SEAT FRAME ASSY SITZRAHMEN-KPL CADRE DU SIEGE CPL | 1 | | | | | | | | | |
| 2 | 997-073-07756 | GUIDE SLEEVE FUEHRUNGSHUELSE DOUILLE DE GUIDAGE | 1 | | | | | | | | | | 19 | 997-073-07771 | AXLE ACHSE AXE | 1 | | | | | | | | | |
| 3 | 997-073-07757 | BACKREST STUFFING RUECKENPOLSTER DOSSIER REMBOURRE | 1 | | | | | | | | | | 20 | 997-073-07772 | LEDGE LEISTE LISTEAU | 1 | | | | | | | | | |
| 5 | 997-073-07758 | SEAT COVER SITZBEZUG GARNITURE SIEGE | 1 | | | | | | | | | | 21 | 997-073-07773 | CONTROL CABLE BOWDENZUG TRANSMISS BOWDEN | 1 | | | | | | | | | |
| 6 | 997-073-07759 | SEAT COVER SITZBEZUG GARNITURE SIEGE | 1 | | | | | | | | | | 22 | 997-073-07774 | CONTROL CABLE BOWDENZUG TRANSMISS BOWDEN | 1 | | | | | | | | | |
| 7 | 997-073-07760 | SEAT CUSHION SITZKISSEN COUSSIN | 1 | | | | | | | | | | 23 | 997-073-07775 | CONTROL CABLE BOWDENZUG TRANSMISS BOWDEN | 1 | | | | | | | | | |
| 8 | 997-073-07761 | ARM REST ARMSTUETZE ACCOUDOIR | 1 | | | | | | | | | | 24 | 997-073-07776 | HANDLE GRIFF POIGNEE | 1 | | | | | | | | | |
| 10 | 997-073-07762 | SEAT BACK SITZLEHNE DOSSIER | 1 | | | | | | | | | | 26 | 997-073-07777 | HANDLE GRIFF POIGNEE | 1 | | | | | | | | | |
| 11 | 997-073-07763 | TORSION BAR ASSY DREHSTABFEDER-KPL RESSORT A TORSION | 1 | | | | | | | | | | 27 | 997-073-07778 | HANDLE GRIFF POIGNEE | 1 | | | | | | | | | |
| 12 | 997-073-07764 | COVER ABDECKUNG RECOUVREMENT | 1 | | | | | | | | | | 28 | 997-073-07779 | HANDLE GRIFF POIGNEE | 1 | | | | | | | | | |
| 13 | 997-073-07765 | SAFETY BELT ASSY SICHERH-GURT-KPL SANGLE DE SECURITE | 1 | | | | | | | | | | 30 | 997-073-07780 | CONTROL CABLE BOWDENZUG TRANSMISS BOWDEN | 1 | | | | | | | | | |
| 14 | 997-073-07766 | SAFETY LOCK VERSCHLUSZ SERRURE DE SURETE | 1 | | | | | | | | | | 31 | 997-073-07781 | SEAT ADJUSTMENT ASSY SITZVERSTELLNG-KPL REGLAGE DE SIEGE CPL | 1 | | | | | | | | | |
| 15 | 997-073-07767 | ARM REST ARMSTUETZE ACCOUDOIR | 1 | | | | | | | | | | 33 | 997-073-07782 | HANDLE GRIFF POIGNEE | 1 | | | | | | | | | |
| 16 | 997-073-07768 | COVER ABDECKUNG RECOUVREMENT | 1 | | | | | | | | | | 34 | 997-073-07783 | COVER ABDECKUNG RECOUVREMENT | 1 | | | | | | | | | |
| 17 | 997-073-07769 | GUIDE FUEHRUNGSSTUECK GUIDAGE | 1 | | | | | | | | | | 37 | 997-073-07784 | COVER ABDECKUNG RECOUVREMENT | 1 | | | | | | | | | |

SEAT RH
SITZ RECHTS
SIEGE A DROITE

997-070-06322

Figure
Bild
Figure

7006322

2600-13



| Item Pos. Réf | Part No. Teil-Nr. Pièce No | Designation Benennung Désignation | all alle tous | Qty/assy Stck/Variante Pièce/ensemble | | | | | | | | Figure Bild Figure | |
|---------------------|----------------------------------|---|---------------------|--|---|---|---|---|---|---|---|--------------------------|--|
| | | | | A | B | C | D | E | F | G | H | | |
| 38 | 997-073-07785 | SEAT FRAME ASSY SITZRAHMEN-KPL CADRE DU SIEGE CPL | 1 | | | | | | | | | | |
| 40 | 997-073-07786 | HOSE LINE SET SCHLAUCHLEITG-SATZ CONDUITES FLEX | 1 | | | | | | | | | | |
| 41 | 997-073-07787 | LEVEL GOVERN PIECES NIVEAUREGULIER-ETL PIECES REGL NIVEAU | 1 | | | | | | | | | | |
| 42 | 997-073-07789 | SWING ARM ASSY SCHWINGE-KPL BRAS OSCILLANT CPL | 1 | | | | | | | | | | |
| 44 | 997-073-07790 | SHOCK ABSORBER STOSZDAEMPFER AMORTISSEUR DU CHOC | 1 | | | | | | | | | | |
| 45 | 997-073-07791 | SHOCK ABSORBER STOSZDAEMPFER AMORTISSEUR DU CHOC | 1 | | | | | | | | | | |
| 46 | 997-073-07792 | VALVE VENTIL SOUPAPE | 1 | | | | | | | | | | |
| 47 | 997-073-07793 | PNEUMATIC SPRING LUFTFEDER RESSORT PNEUMATIQUE | 1 | | | | | | | | | | |
| 48 | 997-073-07794 | SEAT SUPPORT SITZTRAEGER SUPPORT DE SIEGE | 1 | | | | | | | | | | |
| 49 | 997-073-07795 | GUIDE FUEHRUNGSSCHIENE RAIL-GUIDE | 1 | | | | | | | | | | |
| 50 | 997-073-07796 | BELLOWS FALTENBALG SOUFFLET | 1 | | | | | | | | | | |
| 52 | 997-073-07797 | WEARING PARTS KIT VERSCHLEISZTEILE LOT PIECES D USURE | 1 | | | | | | | | | | |
| | 997-070-06322 | SEAT ASSY SITZ KPL SIEGE CPL | 1 | | | | | | | | | | |